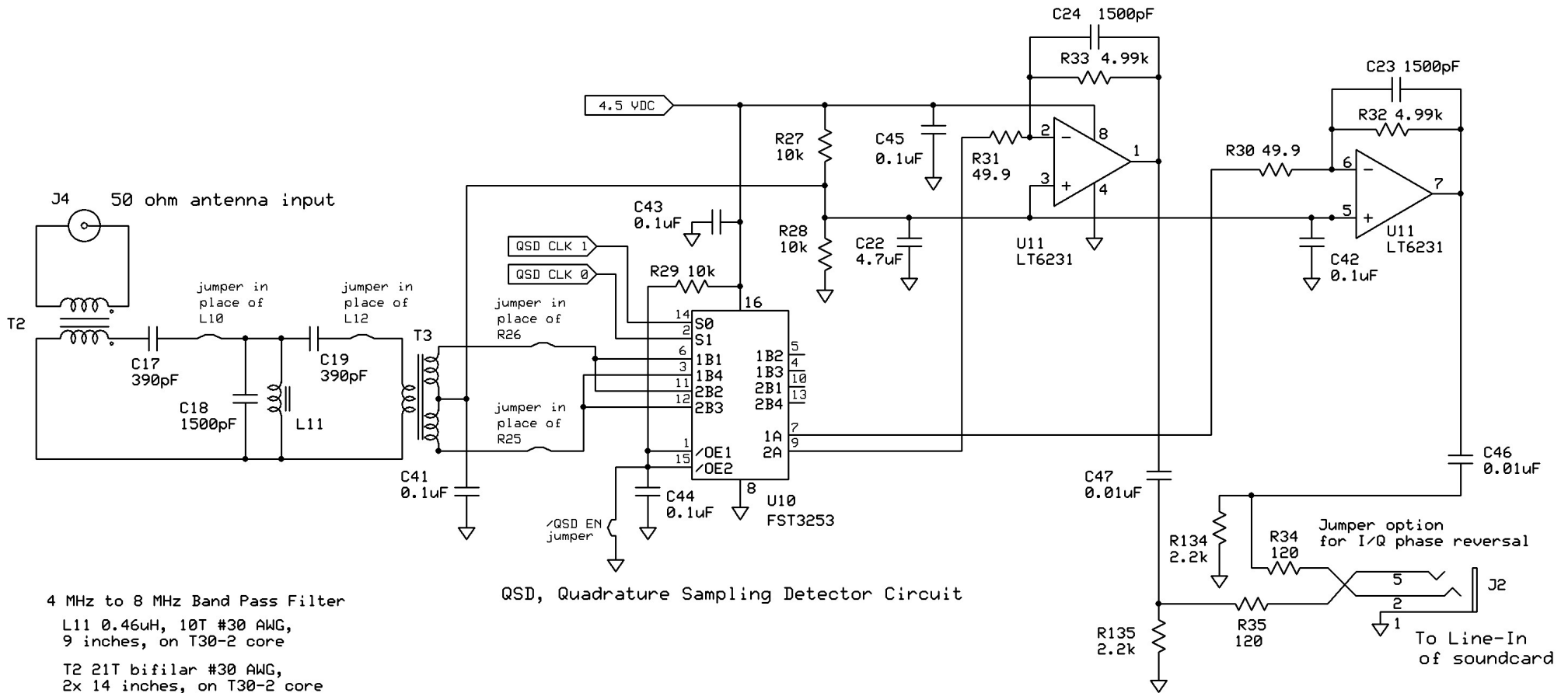


Circuit board used is 12/28/20 version of RX Ensemble II circuit board



4 MHz to 8 MHz Band Pass Filter

- L11 0.46uH, 10T #30 AWG, 9 inches, on T30-2 core
- T2 21T bifilar #30 AWG, 2x 14 inches, on T30-2 core
- T3 21T bifilar #30 AWG secondary, 2x 14 inches, on T30-2 core
21T #30 AWG primary, 14 inches

Components added to locations not provided on the circuit board include C100, R100, R101, R134, and R135

QSD, Quadrature Sampling Detector Circuit