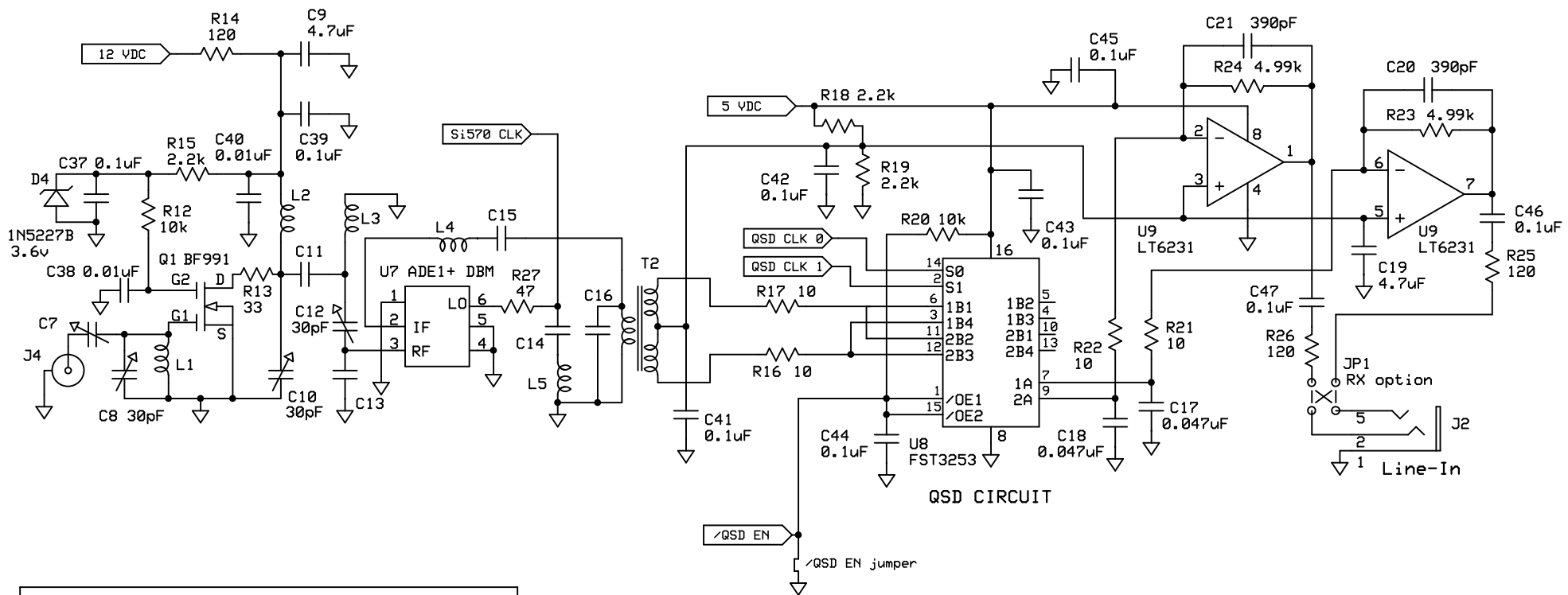


R28 added if PTT is wanted, otherwise, install /QSD EN jumper.



### 50-54 MHz 6m Band Coverage Option

L1, L2, L3 = 0.35uH 11t #26 AWG on T25-6 Yellow  
 L4 = 17t #30 AWG on T25-6 Yellow Core  
 T2 = T25-6 (yellow core) Primary 14T #30 AWG  
 Secondary 2x7T bifiliar #30 AWG

C7 = 30pF Trimmer Capacitor  
 C13 = 150pF  
 C15 = 180pF  
 C16 = 220pF  
 C11 = 2.7pF  
 C14 and L5 Not used

### 70-74 MHz 4m Band Coverage Option

L1, L2, L3 = 0.25uH 9t #26 AWG on T25-6 Yellow  
 L4 = 14t #30 AWG on T25-6 Yellow Core  
 T2 = T25-6 (yellow core) Primary 7T #30 AWG  
 Secondary 2x4T bifiliar #30 AWG

C7 = 30pF Trimmer Capacitor  
 C13 = 120pF  
 C15 = 82pF  
 C16 = 270pF  
 C11 = 2.2pF  
 C14 and L5 Not used

50 - 54 MHz Band Tuning (<:3) IF = 16.6 MHz- 18 MHz  
 70 - 74 MHz Band Tuning (<:3) IF = 23.333 - 24.667 MHz  
 135 - 138 MHz Band Tuning (<:5) IF = 27.0 MHz - 27.6 MHz  
 144 - 148 MHz Band Tuning (<:5) IF = 28.8 MHz - 29.6 MHz

### 144-148 MHz 2m Band Coverage Option

L1 = 0.080uH 6t #26 AWG on T25-12 Green Core  
 L2, L3 = 0.060uH 5t #26 AWG on T25-12 Green Core  
 L4 = 14t #30 AWG on T25-6 Yellow Core  
 T2 = T25-6 (yellow core) Primary 7T #30 AWG  
 Secondary 2x4T bifiliar #30 AWG

C7 = 10pF Trimmer Capacitor  
 C13 = 100pF  
 C15 = 82pF  
 C16 = 270pF  
 C11 = 1.2pF  
 C14 and L5 Not used